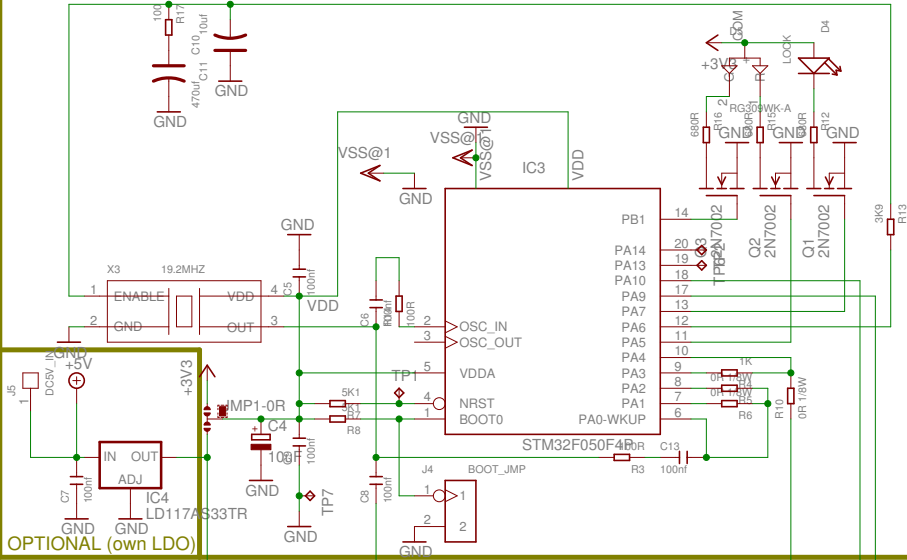
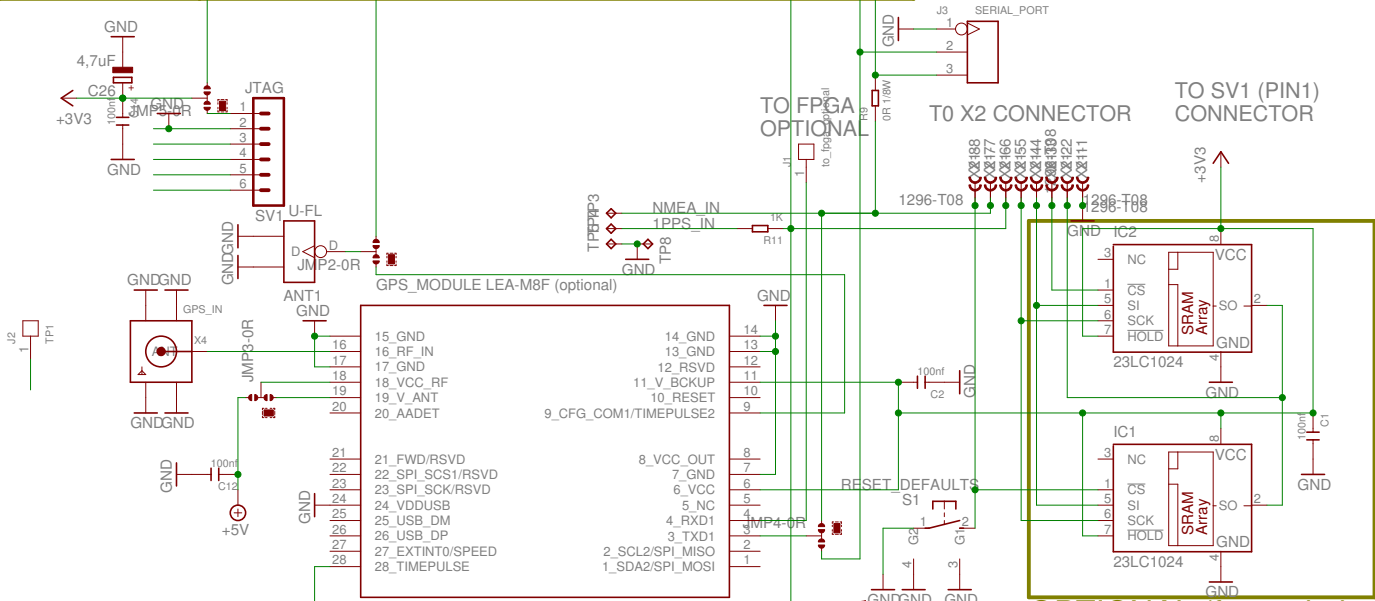


OPTIONAL (for own GPSDO)



OPTIONAL (own LDO)



OPTIONAL (for main boards version 1XX...2XX only)

